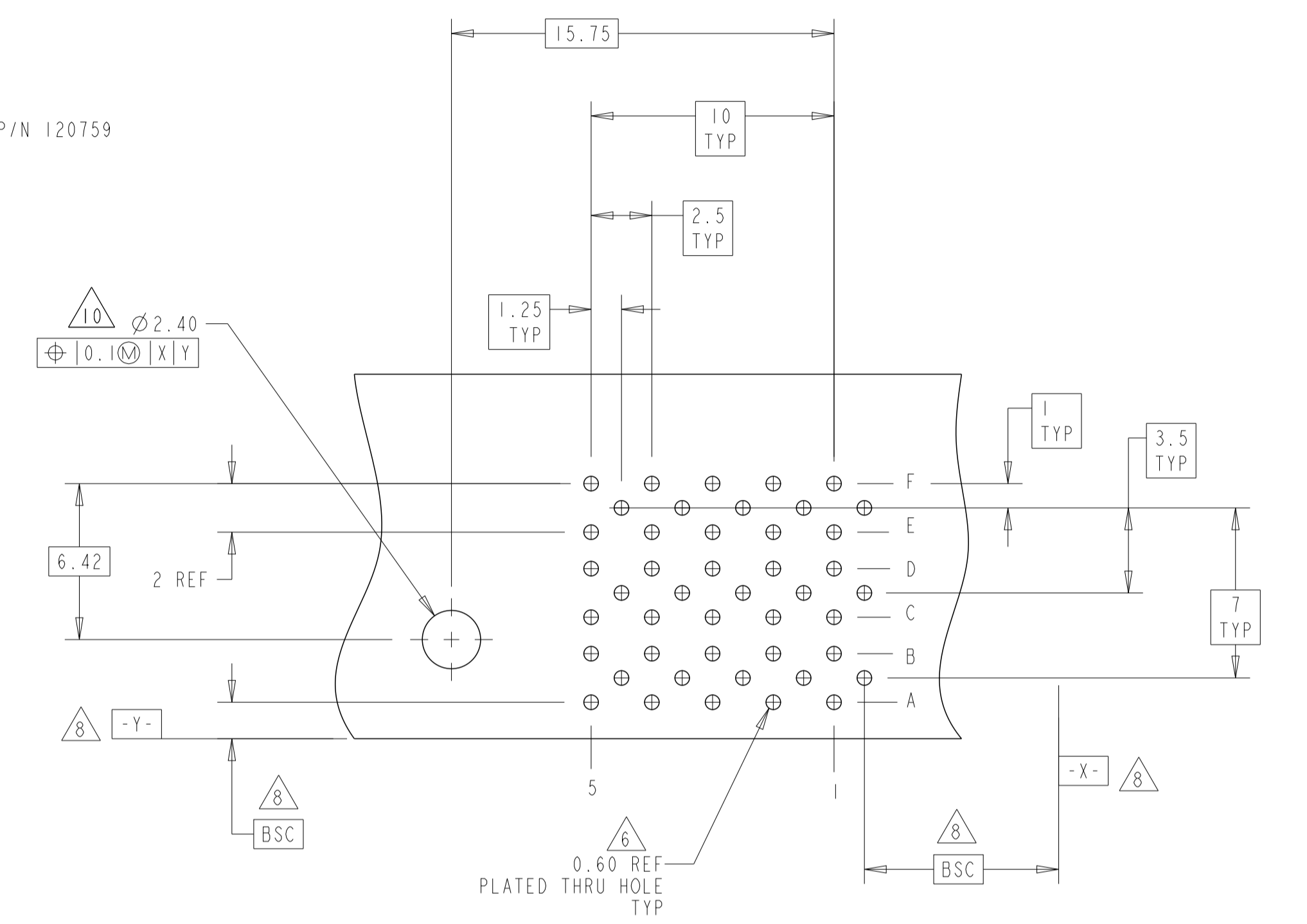
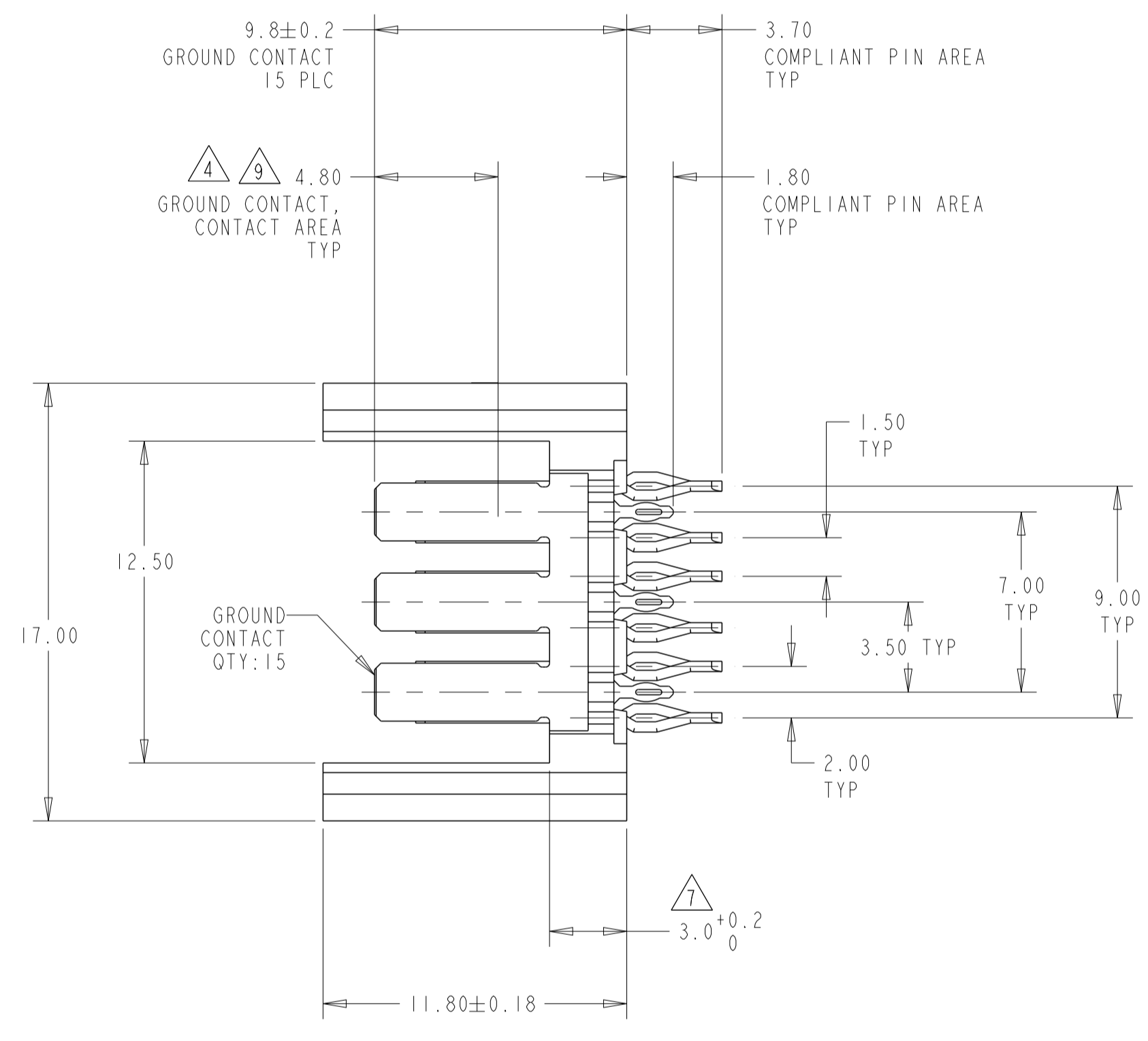
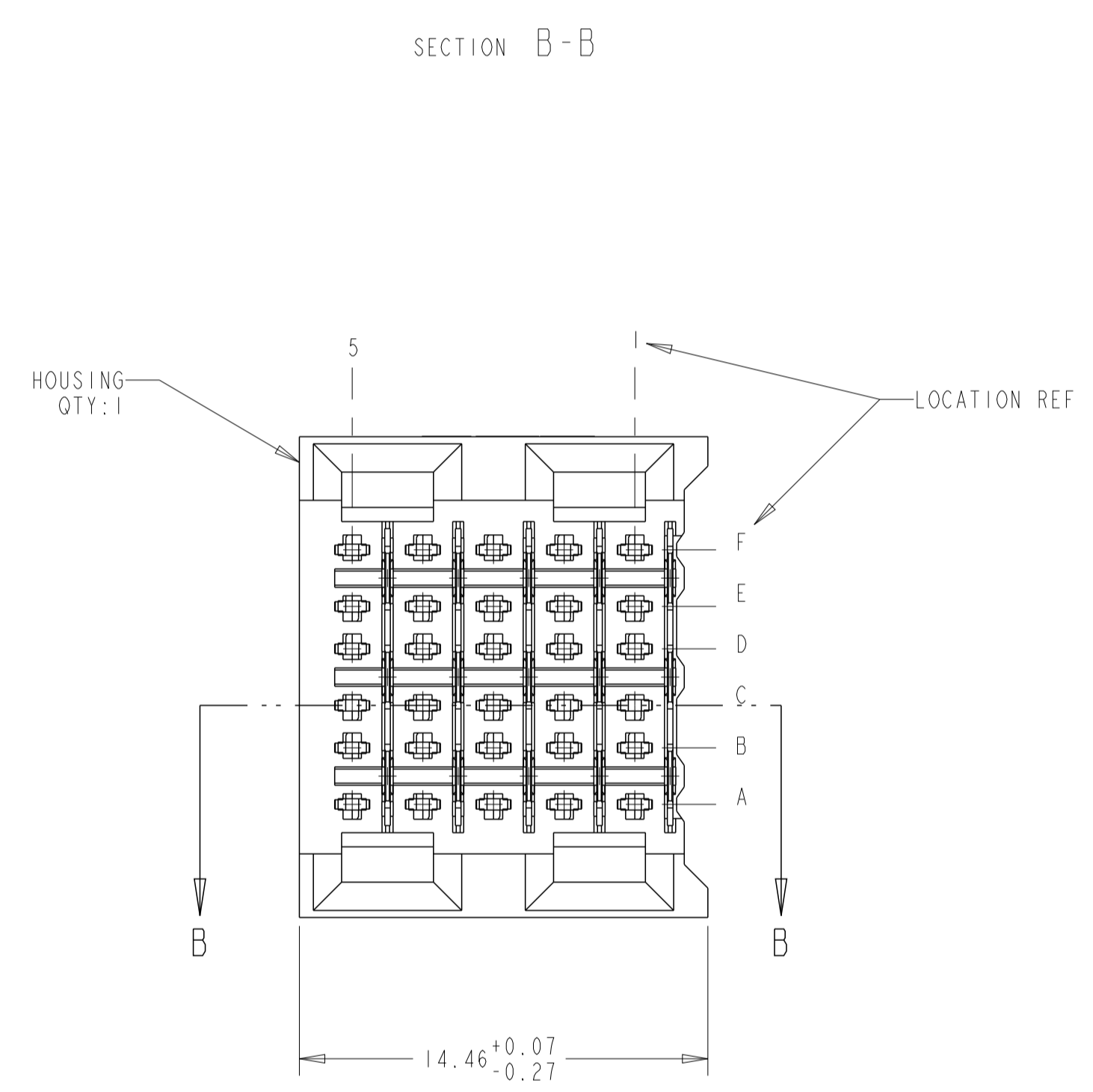
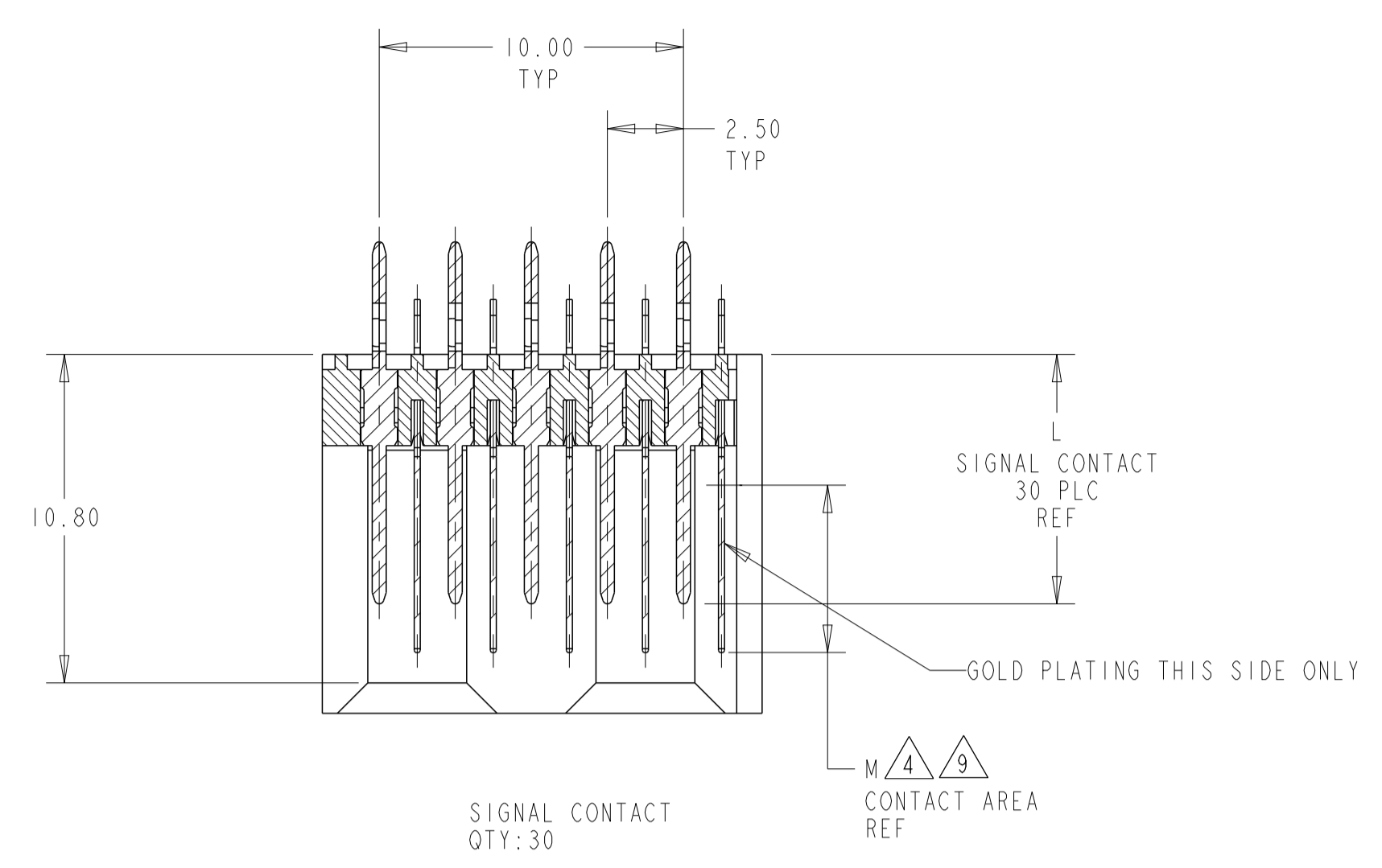
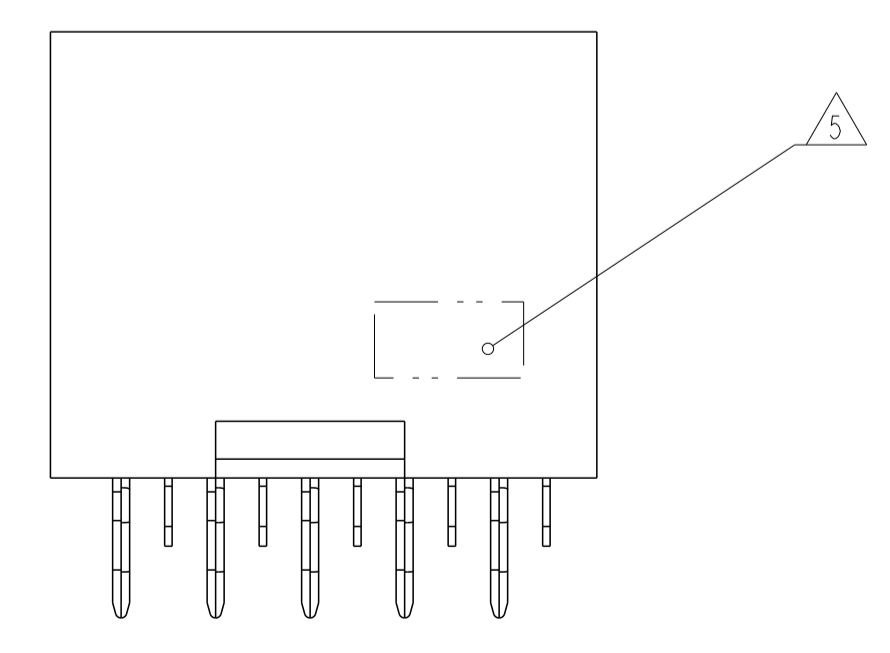


LOC		DIST		REVISIONS			
P	LTN	DATE	DWN	APVD			
B2		28SEP2012	KH	JE	REVISED PER ECO-12-011334		

- 2 PHOSPHOR BRONZE
- 3 LCP, UL94V-0
- 4 FINISH:
CONTACT MATING AREA MEETS THE PERFORMANCE REQUIREMENTS OF
TE CONNECTIVITY PRODUCT SPECIFICATION 108-1957; BASED ON
TELCORDIA GR-1217-CORE; APPLICATIONS IN UNCONTROLLED ENVIRONMENTS.
COMPLIANT PIN AREA: 0.5µm MIN MATTE TIN OVER BASE PLATING.
- 5 CONNECTOR MARKED WITH PART NUMBER AND DATE CODE
- 6 REFERENCE APPLICATION SPEC 114-13020 FOR RECOMMENDED
PLATED THRU HOLE DIAMETER AND PLATING THICKNESS.
- 7 APPLICATION SEATING HEIGHT TO PRINTED CIRCUIT BOARD
- 8 DATUMS AND BASIC DIMENSIONS ESTABLISHED BY CUSTOMER
- 9 CONTACT AREA LUBRICATED WITH BELLCORE APPROVED LUBRICANT
TECHNICAL REFERENCE: GR-1217-CORE, ISSUE 1, NOVEMBER 1995
- 10 HOLE DIAMETER SHOULD BE 3.10 WHEN USING FEED THROUGH GUIDE PIN P/N 120759
CLEARANCE FOR M3x0.5 THREAD



RECOMMENDED
PRINTED CIRCUIT BOARD
LAYOUT
COMPONENT SIDE OF PRINTED CIRCUIT BOARD



5.50	9.7	5120677-2
5.50	8.2	5120677-1
M	L	PART NUMBER

THIS DRAWING IS A CONTROLLED DOCUMENT.

DIMENSIONS: mm

TOLERANCES UNLESS OTHERWISE SPECIFIED:

0 PLC	±
1 PLC	±
2 PLC	±0.13
3 PLC	±0.05
4 PLC	±

ANGLES: °

FINISH: *

MATERIAL: HOUSING: 3 CONTACTS: 2 SIGNAL CONTACT: 4

OWN: B. CARBO 07DEC04
 CHK: R. PATTERSON 07DEC04
 APVD: R. PATTERSON 07DEC04

NAME: HEADER ASSEMBLY, 30 POSITION, RIGHT HAND, 6 ROW, Z-PACK HS3

SIZE: A1 CAGE CODE: 00779 DRAWING NO: 5120677 RESTRICTED TO: -

WEIGHT: -

CUSTOMER DRAWING

SCALE: 5:1 SHEET: 1 OF 1 REV: B2

TE Connectivity